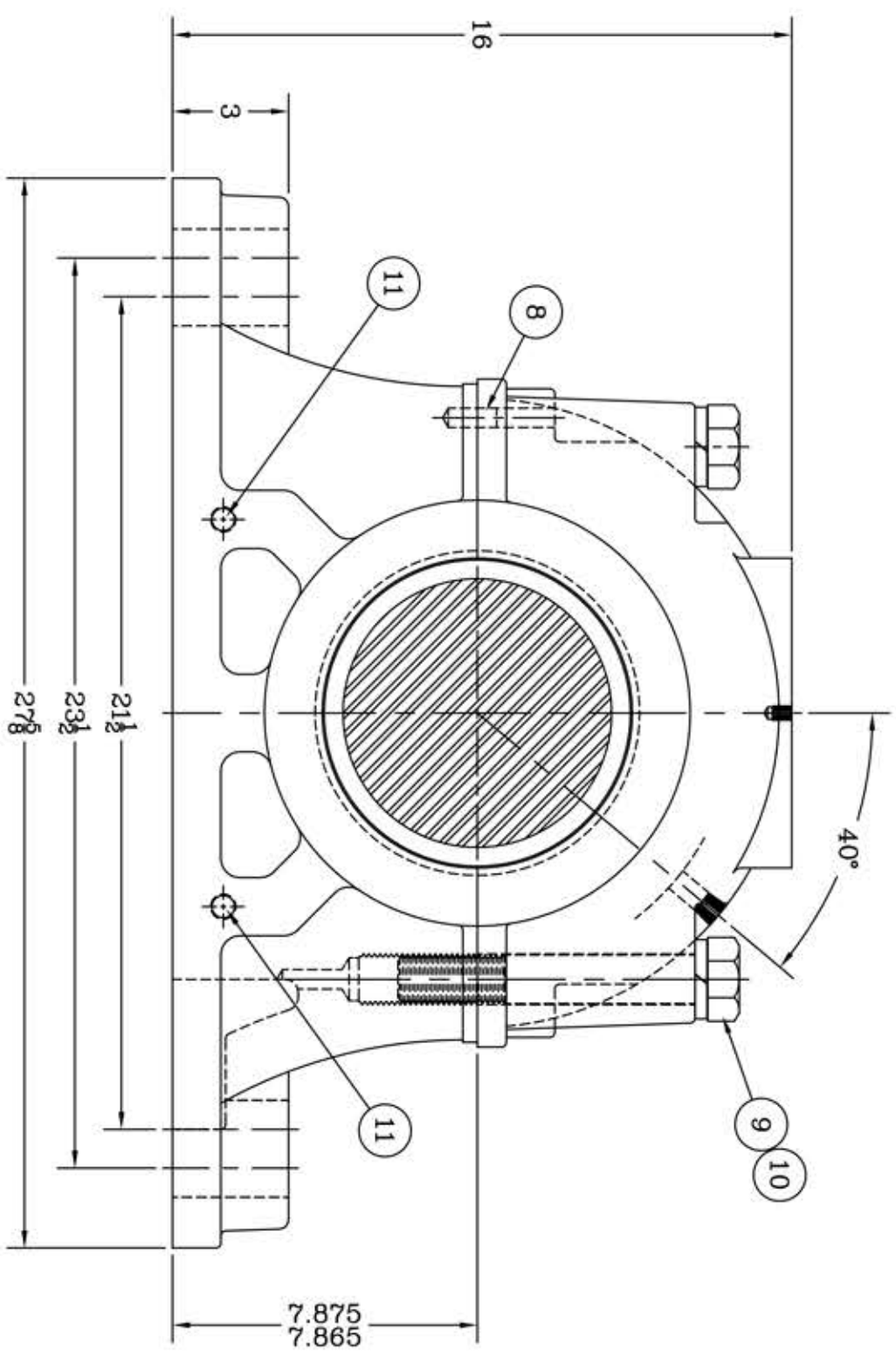
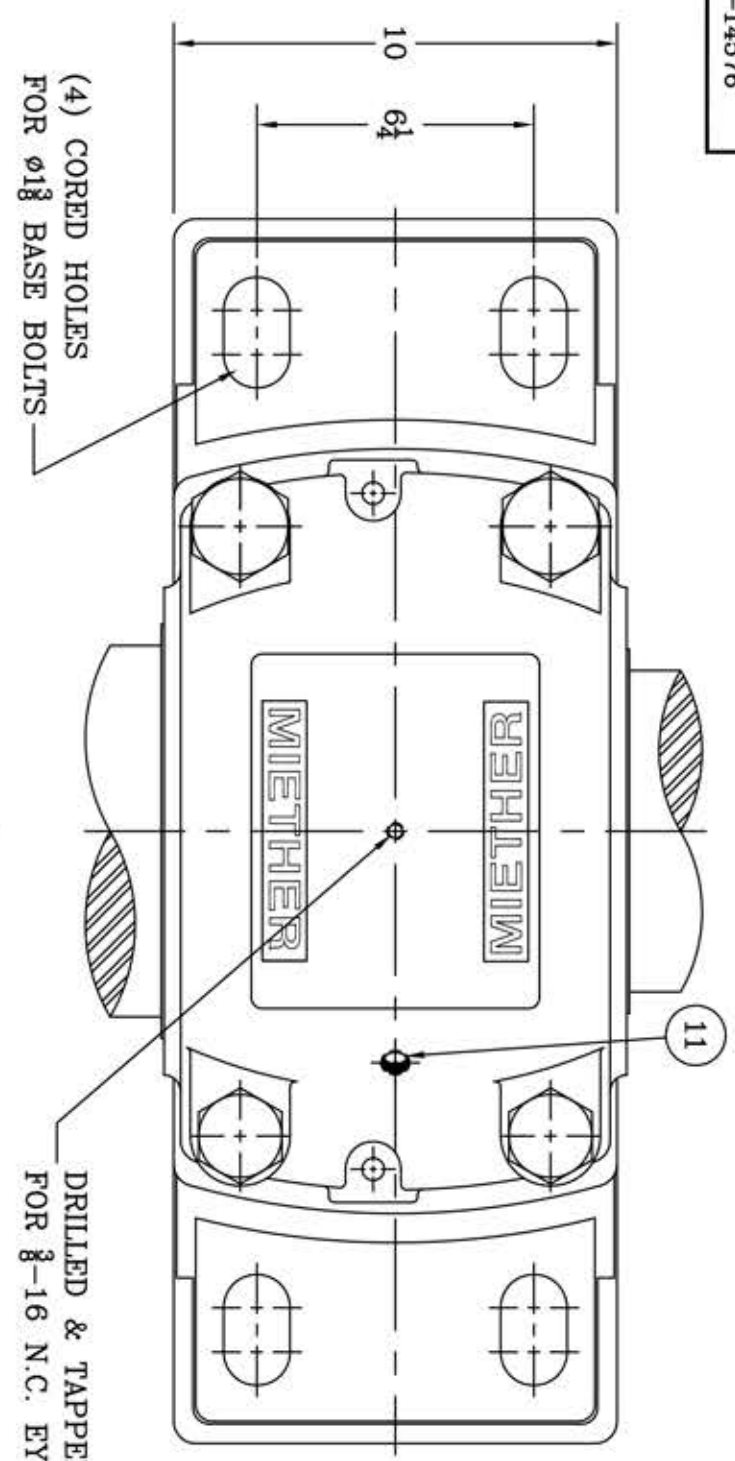
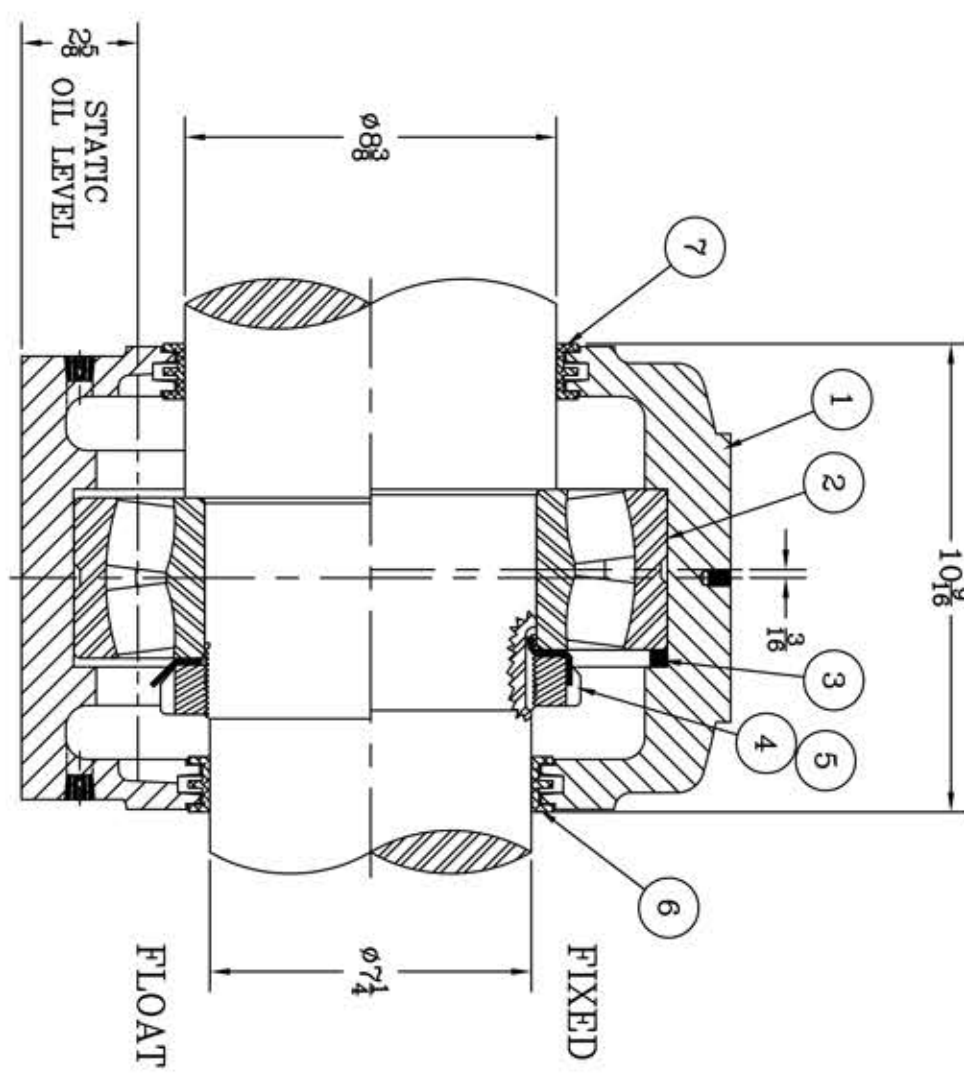


This drawing is the sole property of Miether Bearing Products and contains confidential and proprietary information. It is being provided to you for your use and may not be disclosed to any third party or used for any other purpose without Miether's prior written consent. The [materials] must be returned to the Company upon its demand. Your acceptance of these materials constitutes your acceptance of the foregoing terms.

C-14576



ITEM	DESCRIPTION	DETAIL	REQUIRED
1	HOUSING SDAF 238	C-15210	1 1
2	SPHERICAL ROLLER BEARING	22238/W-33	1 1
3	STABILIZING RING SR-38-32	A-10555	1 0
4	LOCKNUT AN-38	B-10423	1 1
5	LOCKWASHER W-38	00253	1 1
6	TRIPLE SEAL RING LER-229	A-11681	1 1
7	TRIPLE SEAL RING LER-240	A-12093	1 1
8	DOWEL	$\phi 2$ x 1" LONG	2 2
9	CAP BOLT HEX. HEAD	$1\frac{1}{4}$ -7 NC x 8" LONG	4 4
10	LOCKWASHER	$1\frac{1}{4}$ SPLIT MED.	4 4
11	PIPE PLUG	$\frac{3}{8}$ -18 NPT	5 5



REDRAWN FOR CONFORMITY RWB per KAB 7-26-04

REVISIONS

SYMBOL	DESCRIPTION
C	REVISIONS
D	REVISIONS
E	REVISIONS
F	REVISIONS
G	REVISIONS
J	REVISIONS
K	REVISIONS

AN ALCO INDUSTRIES COMPANY  
BEARING PRODUCTS  
ODESSA, TX. USA

SDAF 22238	08-06 x 07-04
ASSEMBLY DRAWING	
SCALE 1 = 3	ASSEMBLY NO.
DRAWN CJ	
DATE 1/21/72	DRAWING NO. C-14576
CHK:	

TOLERANCE: UNLESS OTHERWISE SPECIFIED  
FRACTIONS  $\pm 1/32$ " ANGLES  $\pm 0^\circ 30'$   
DECIMALS  $\pm .005$  WELD  $\pm 1/16$ "  
CASTING  $\pm 1/16$ "